

EvoLift®

BATTERY VENTING SYSTEM - REVERSIBLE

„Stay tight with reversible venting system“



FIELDS OF APPLICATIONS

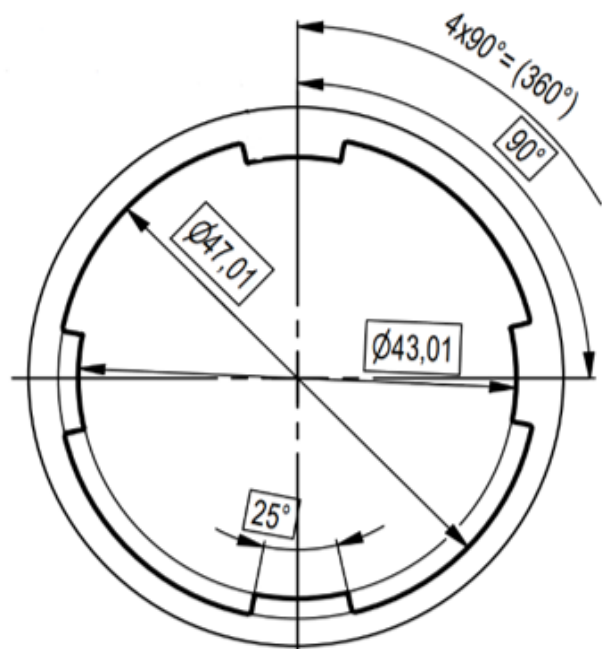
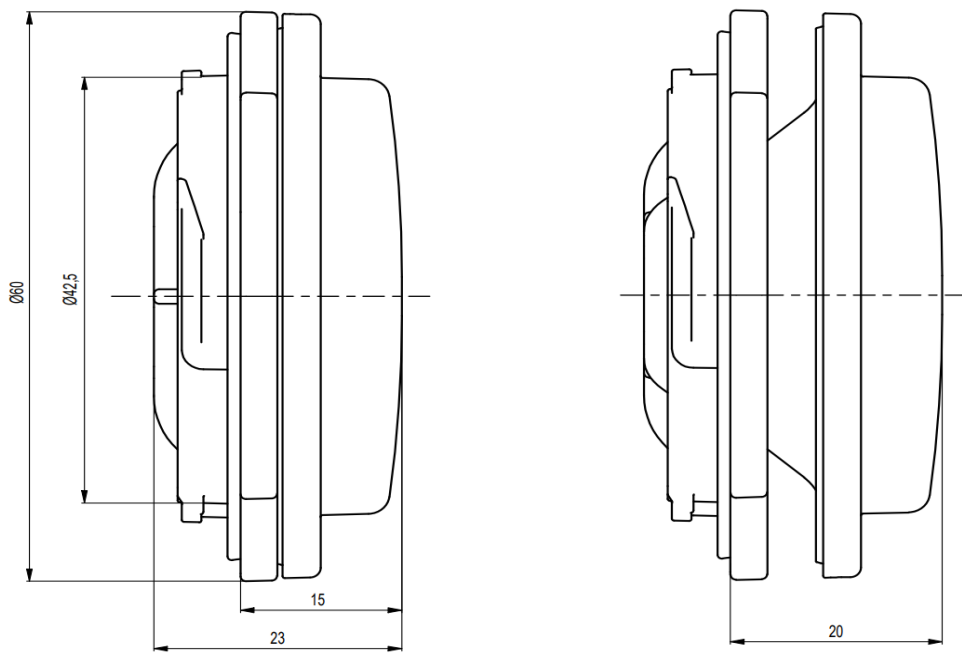
- Battery systems
- Battery modules
- BEV's
- Hybrids and energy storage systems

Vent Type	Reversible plastic version
Housing material	PP GF25 FR / TPE / PTFE / stainless steel
Dimension	Ø 60 mm x 23 mm
Installation space • Connection • Hole	Bayonet (sheet metal thickness: 3 mm) Ø 43 mm
Opening pressure (adjustable) • Emergency venting	Set by the force of the spring, easily customizable ≥ 35 mbar
Air flow • Venting and ventilation • Emergency venting	≥ 500 ml/min @ 25 mbar ≥ 80 l/s @ 200 mbar
Leakage	≤ 1 ml/min @ -50 mbar
Water resistance	≥ 30 min @ 250 mbar
IP-Protection class	IP68, IPX9K
Flame resistant	UL94 V0
Temperature	-40 °C to +80 °C

A summary of the benefits

- Small cost-efficient solution
- Relatively small installation space
- Opening force can be easily adjusted to customer needs
- Testable in the EOL (End of Line) test





The information and values listed here were determined under model and laboratory conditions. They do not represent any assured properties, guarantees or warranties. The validation of the products in the respective application, their performance as well as their suitability for a specific purpose is the responsibility of the user.